



# RHINO-RACK

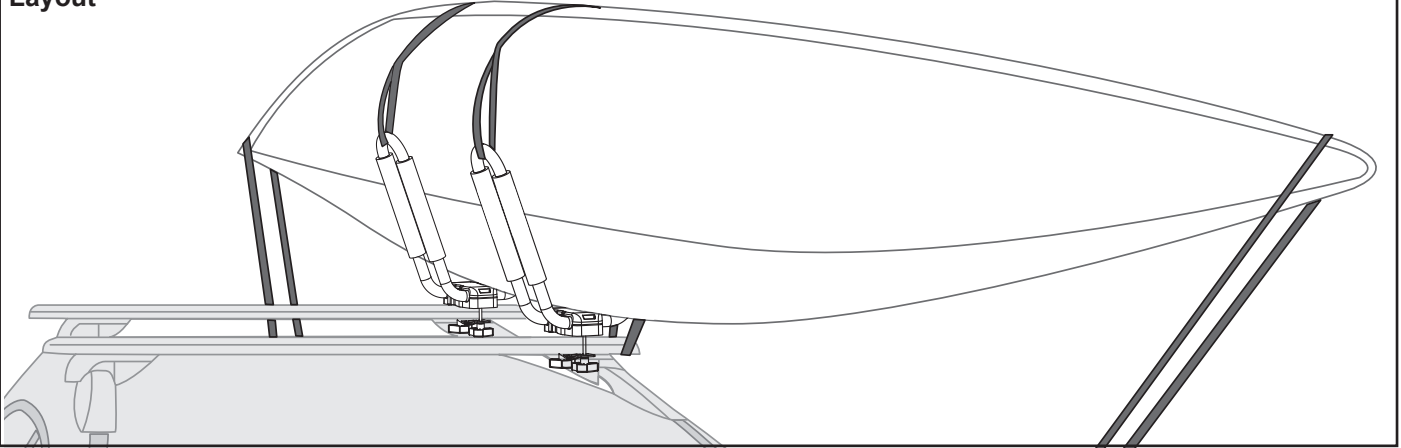
Aerodynamic & Heavy Duty Roof Rack Systems

CONTROLLED

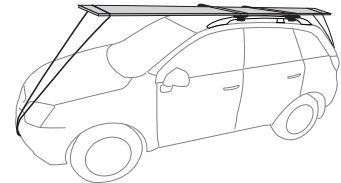
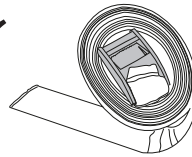
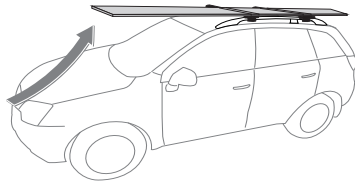
## Rhino-Rack Kayak Carrier Adaptor Kits (KC-FK8, KC-FK9 and KC-FK10)

**Important:** Please read these instructions carefully prior to installation. Please refer to your fitting instruction to ensure that the kayak carrier is installed in the correct locations. Check the contents of kit before commencing fitment and report any discrepancies. Place these instructions in the vehicle's glove box after installation is complete.

### Layout



### Important Information



### Maximum carrying capacity:

Please refer to your vehicle manufacturers handbook for maximum carrying capacity of your roof racks.

**Warning:** Do not attempt to fit the adaptor kit to your vehicle unless you fully understand this fitting instructions. Please direct any questions regarding fitting to the dealer from where the adaptor kit was purchased. **Use only non-stretch fastening ropes or straps.**

### Recommendations:

It is essential that all bolt connections be checked after driving a short distance when you first install your roof racks and adaptor kit. Bolt connections should be checked again at regular intervals (once a week is enough, depending on road conditions, usage, loads and distances travelled). You should also check the roof racks and adaptor kit each time they are re-fitted. Always make sure to fasten your load securely. Please also ensure that all loads are evenly distributed and that the centre of gravity is kept as low as possible. Long loads (e.g. canoes and kayaks) must be secured front and rear with non-stretch fastening ropes or straps.

**Roof racks and adaptor kit must be removed when putting vehicle through an automatic car wash.**

**Caution:** The handling characteristics of the vehicle changes when you transport a load on the roof. For safety reasons we recommend you exercise extreme care when transporting wind-resistant loads. Special consideration must be taken into account when cornering and braking.

### Note for Dealers and Fitters

It is your responsibility to ensure this fitting instruction is given to the end user or client

Rhino-Rack  
3 Pike Street, Rydalmere,  
NSW 2116, Australia.  
(Ph) (02) 9638 4744  
(Fax) (02) 9638 4822

Document No: R115  
Prepared By: Andy Wana  
Authorised By: Chris Murty

Issue No: 01  
Issue Date: 26/07/2011

These instructions remain the property of Rhino-Rack Australia Pty Ltd and may not be used or changed for any other purpose than intended.

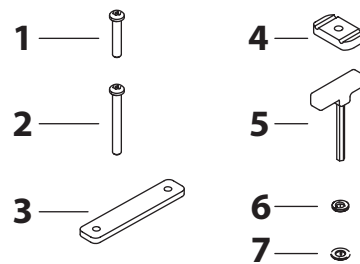


# Rhino-Rack Kayak Carrier Adaptor Kits (KC-FK8, KC-FK9 and KC-FK10)

## Parts List

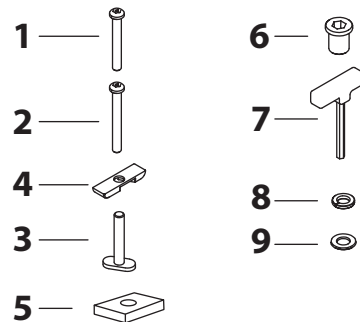
KC - FK8 (SUITS S510/11/11X - HD SPZ AERO TH/AERO)			
Item	Component Name	Qty	Part No
1	M6x32mm Button Security Screw	4	B064
2	M6x40mm Button Security Screw	8	B085
3	Kayak / Canoe Carrier Nut Plate	2	C396
4	M6 Channel Nut	4	N002
5	Security Key Short	1	SECKEY-S
6	M6 X 12.5mm Flat Washer	4	W003
7	M6 Spring Washer	4	W004

### KC-FK8



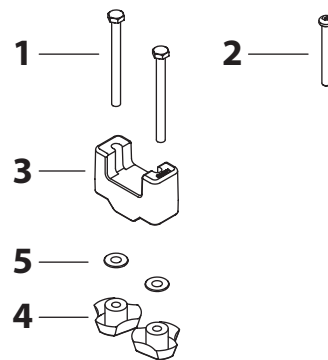
KC - FK9 (SUITS S510/11/11X ROLA SPT/OLD ROLA COMM)			
Item	Component Name	Qty	Part No
1	M6x35mm Button Security Screw	4	B092
2	M6x40mm Button Security Screw	4	B085
3	M6x35mm T-bolt	4	B145
4	ROLA T-bolt Tab	4	M059
5	M6 Brass Nut	4	N019
6	ROLA Tube Nut for Kayak Carrier	4	N041
7	Security Key Short	1	SECKEY-S
8	M6 X 12.5mm Flat Washer	4	W003
9	M6 Spring Washer	4	W004

### KC-FK9



KC - FK10 (SUITS S510/11/11X - EURO BAR)			
Item	Component Name	Qty	Part No
1	M6x70mm Hex Bolt	8	B108
2	M6x40mm Button Security Screw	4	B085
3	Euro Bar Adaptor Block	4	M083
4	M6 Plastic Knob Nut	4	N008
5	M6 Flat Washer	8	W031

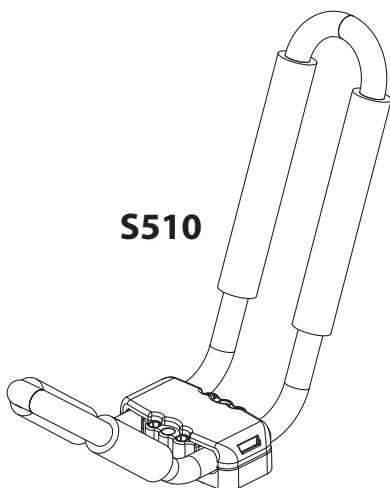
### KC-FK10



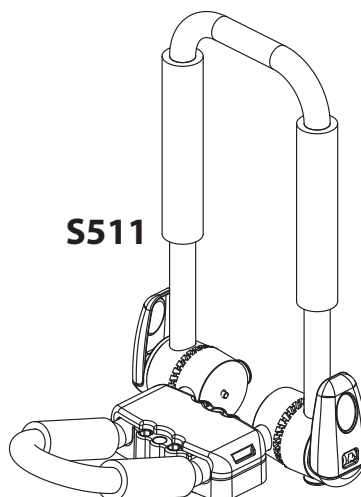
### Care Instruction:

Wash and clean vehicle roof racks prior to fitment

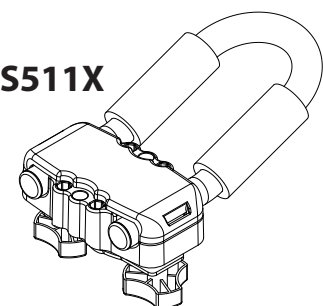
**This kit is to be used in conjunction with S510, S511 or S511X**



**S510**



**S511**

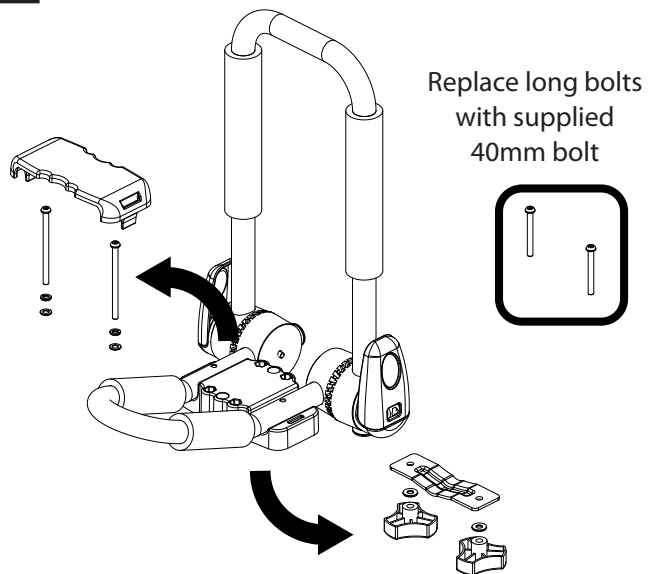


**S511X**



# Rhino-Rack Kayak Carrier Adaptor Kits (KC-FK8, KC-FK9 and KC-FK10)

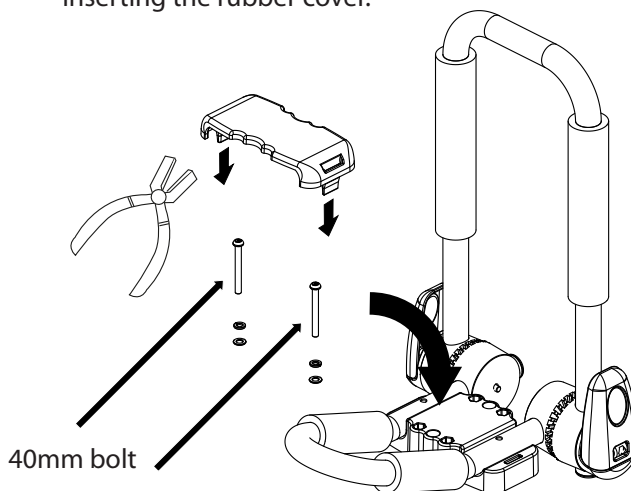
1



\*S511 shown here

2

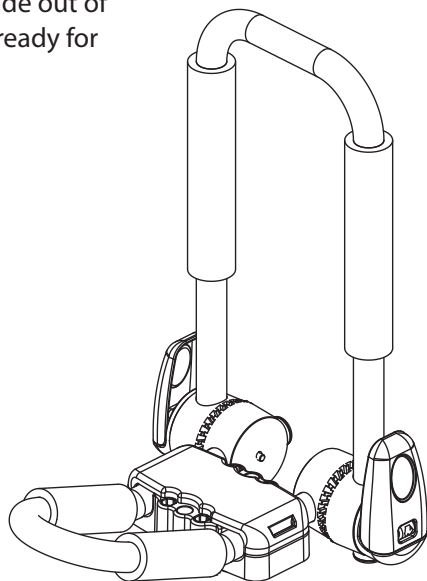
Pliers can be used to assist in inserting the rubber cover.



\*S511 shown here

3

The 40mm bolts will not protrude out of the bottom. The carrier is now ready for the C-channel fitment



\*S511 shown here

4

## RHINO Sportz, RHINO Aero, THULE Rapid & New ROLA Rails bar (PART NO: KC-FK8)

Remove end caps and rubber buffer strip from roof cross bar.

Slide the Nut Plate into the top of the Roof Rack cross bar.

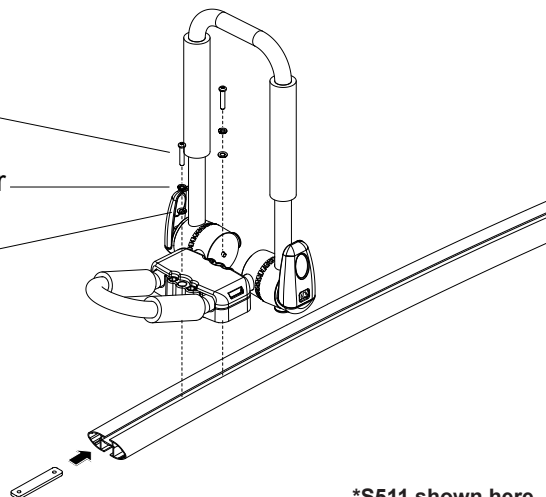
Put the two M6 x 32mm screw and washer assemblies through the middle hole in the base support and fasten to the Nut Plate.

Tighten to 3-4Nm.

M6 x 32

Spring Washer

Flat Washer



\*S511 shown here



## Rhino-Rack Kayak Carrier Adaptor Kits (KC-FK8, KC-FK9 and KC-FK10)

**5**

### RHINO Heavy Duty and ROLA Commercial (PART NO: KC-FK8)

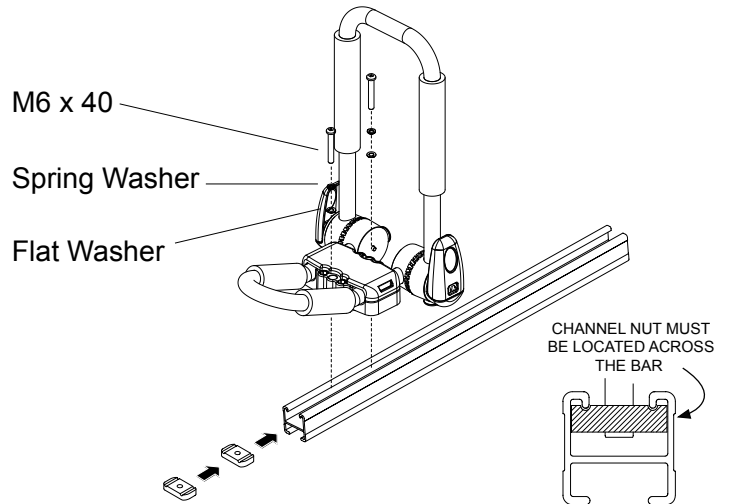
Remove rubber buffer strip from Roof Rack cross bar.

Assemble hardware as shown.

Put the two M6 x 40mm screw and washer assemblies through the middle hole in the base support and fasten to the Channel Nuts.

Lock the Channel Nuts into the top of the roof cross bar. Check the Channel Nuts are located correctly.

Tighten to 3-4Nm.



\*S511 shown here

**6**

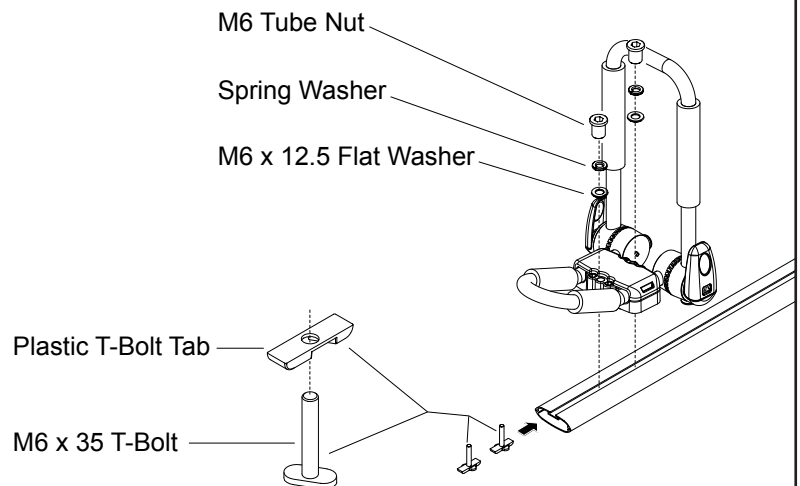
### Rola Rack and old ROLA Commercial Bar (PART NO: KC-FK9)

Remove end caps and rubber buffer strip from Roof Rack cross bar.

Locate 'T' Bolt into cross bar channel, turn 'T' Bolt. Place Locking tab over 'T' Bolt.

Put the two M6 Tube Nut and washer assemblies through the middle hole in the base support and fasten to the M6 x 35mm T-Bolt.

Tighten to 3-4Nm.



\*S511 shown here

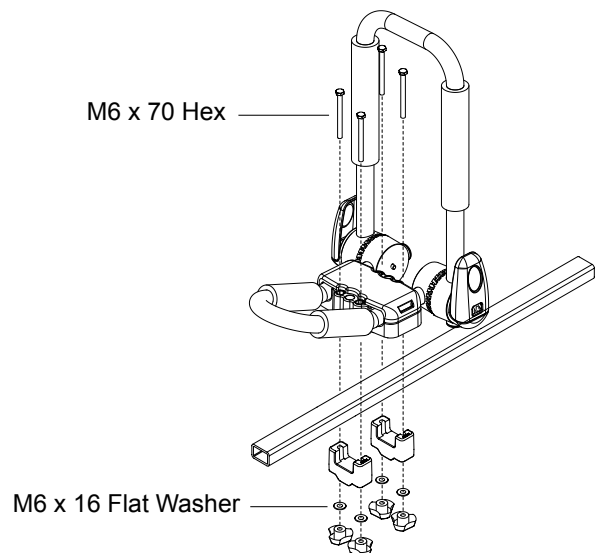
**7**

### EUROPEAN Bars (PART NO: KC-FK10)

With the Kayak Carrier sitting on the Roof Rack bar, place the four M6 x 70mm Hex bolts through the four hexagonal holes in the base support.

Hook the two Lower U Adaptors under the cross bar. Place the M6 x 16 Washers on the Bolts and fasten using the four Plastic Knob Nuts.

Tighten to 3-4Nm.



\*S511 shown here